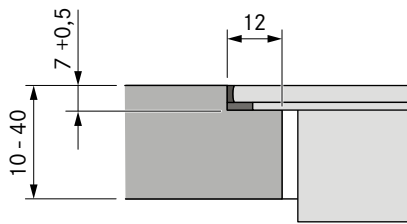


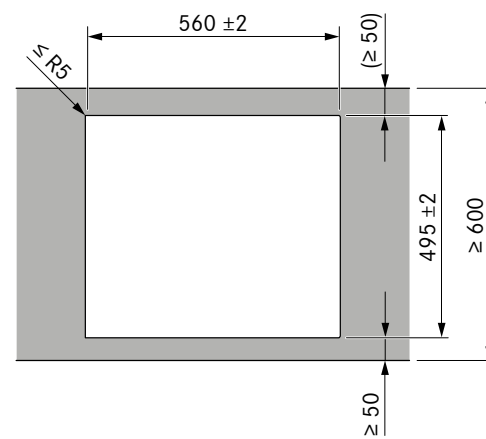
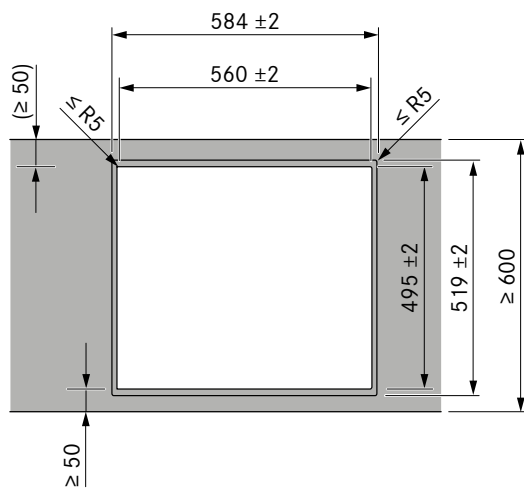
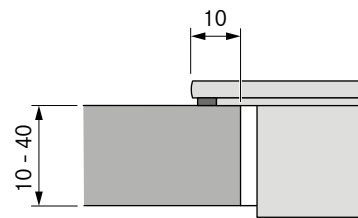
Cut-out dimensions

BORA S Pure PURSA/PURSU

Flush installation



Surface mounting



Important planning instructions:

- The minimum distance of 50 mm from the front edge of the worktop to the worktop cut-out is a recommendation from BORA.
- Cut-out dimensions tolerance +/- 2 mm.
- Clearance of 2 mm should be planned around the built-in appliances.
- Please note the worktop manufacturer's instructions with regard to the suitability of the worktop. Worktop cut-outs must be moisture-sealed using suitable means or, where necessary, fitted with a thermal insulator (e.g. in the case of Corian or HiMacs worktops).