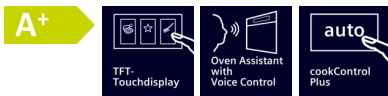


iQ700, Built-in oven, 60 x 60 cm, Black HB772G1B1B



Shorten your cooking time thanks to fast preheat, coolStart and activeClean. And remote control your oven from anywhere with Home Connect.

- ✓ TFT-Touchdisplay – Touch navigation for intuitive operation.
- ✓ Oven Assistant with Voice Control – Intuitively set the right programme.
- ✓ humidClean Plus - For fast cleaning dirt is softened beforehand by vaporizing soapy water. It can then be removed more easily.
- ✓ Home Connect with Remote Control and Monitoring – Unlock the full potential of your smart oven.
- ✓ cookControl Plus – Pre-installed settings for excellent results.

Features

Technical Data

Color / Material Front : Black
 Construction type : Built-in
 Integrated Cleaning system : Pyrolytic+Hydrolytic
 Min. required niche size for installation (HxWxD) : 585-595 x 560-568 x 550 mm
 Dimensions : 595 x 594 x 548 mm
 Dimensions of the packed product (HxWxD) : 670 x 680 x 670 mm
 Control Panel Material : Glass
 Door Material : Glass
 Net weight : 38.3 kg
 Usable volume of cavity : 71 l
 Cooking method : Bottom heat, Conventional heat, Conventional heat gentle, Deep-frozen food special, Full width grill, Half width grill, Hot Air, Hotair gentle, Hot air grilling, Pizza setting
 Oven control : electronic
 Number of interior lights : 1
 Length of electrical supply cord : 120.0 cm
 EAN code : 4242003901748
 Number of cavities (2010/30/EC) : 1
 Energy efficiency rating : A+
 Energy consumption per cycle conventional (2010/30/EC) : 0.87 kWh/cycle
 Energy consumption per cycle forced air convection (2010/30/EC) : 0.69 kWh/cycle
 Energy efficiency index (2010/30/EC) : 81.2 %
 Connection rating : 3600 W
 Fuse protection : 16 A
 Voltage : 220-240 V
 Frequency : 50; 60 Hz
 Plug type : no plug (electrical connection by electrician)
 Included accessories : 2 x combination grid, 1 x universal pan

Included accessories

- 2 x combination grid
- 1 x universal pan

Optional accessories

- | | |
|----------|-----------------------------------------|
| HZ915003 | Glass roasting dish, 5,4 L |
| HZ638070 | Full ext rails, level independent, pyro |
| HZ636000 | Glass pan |
| HZ634000 | Baking and roasting grid (standard) |
| HZ631070 | Baking tray, anthracite enamelled |
| HZ531010 | Baking tray, non-stick ceramic coated |
| HZ530000 | 2 multipurpose pans, slim size |



iQ700, Built-in oven, 60 x 60 cm, Black HB772G1B1B

Features

Features

- Oven with 10 heating methods: 3D hot air, conventional top & bottom heating, hot air grilling, full width grill, half width grill, Pizza setting, coolStart, bottom heat, Hotair gentle, Conventional heat gentle
- Temperature range 30 °C - 275 °C
- Cavity volume: 71 litres

Level independent telescopic rails

- 5 shelf positions in oven
- Cavity with shelf support rails, pyrolytic proof

Design

- Touch control
- Cavity inner surface: enamel anthracite

Cleaning

- activeClean
- hydrolyse program
- Full glass inner door

Programmes/functions

- Oven Assistant with Voice Control
- SE61
- Electronic oven clock timer
- Digital temperature display with proposal
- Actual temperature display Heating-up indicator
- Drop down oven door, softClose, softOpen
-
- cookControl Plus
- Fast preheat
- coolStart
- LED light, Light on/off when door opened/closed
- Integral cooling fan
- WLAN - Home connect enabled

Accessories

- 2 x combination grid, 1 x universal pan

Features

- Maximum door temperature 30 °C
- Low door temperature during pyrolytic cleaning
- Electronic door lock
- Control panel lock Automatic safety switch off Residual heat indicator Start button Door contact switch

Technical information

- 120 cm Cable length
- Nominal voltage: 220 - 240 V
- Total connected load electric: 3.6 KW
- Energy efficiency rating (acc. EU Nr. 65/2014): A+
- Energy consumption per cycle in conventional mode:0.87 kWh
- Energy consumption per cycle in fan-forced convection mode:0.69 kWh
- Number of cavities: Main cavity Heat source: electrical Cavity volume:71 litres

Performance/technical information

- Appliance dimension (hxwxh): 595 mm x 594 mm x 548 mm
- Niche dimension (hxwxh): 585 mm - 595 mm x 560 mm - 568 mm x 550 mm

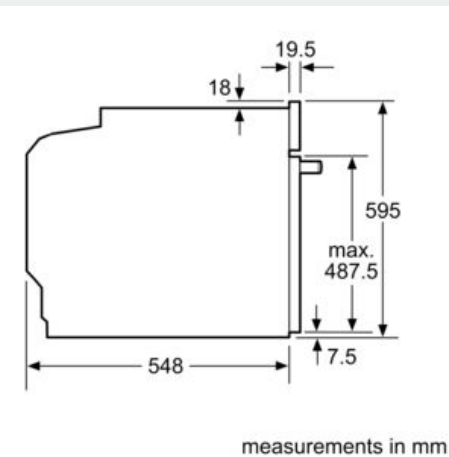
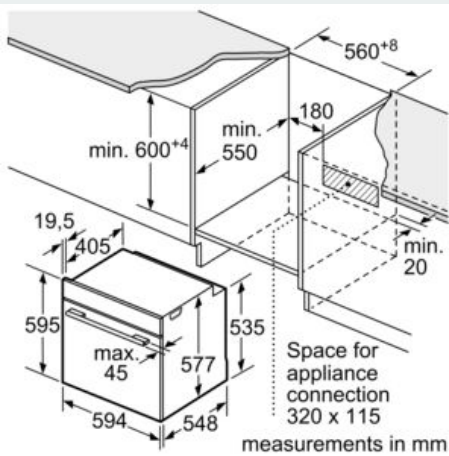
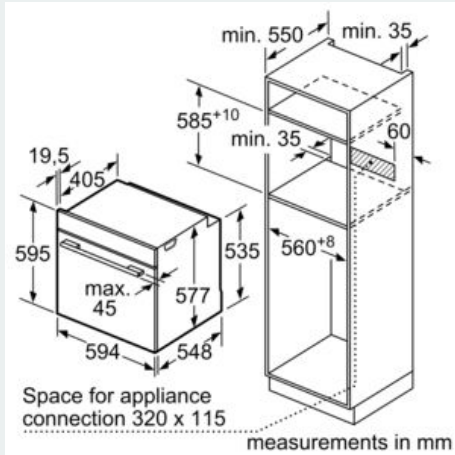
- Please refer to the dimensions provided in the installation manual

iQ700, Built-in oven, 60 x 60 cm, Black HB772G1B1B

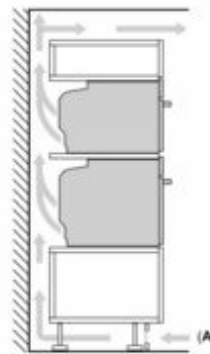
Dimensioned drawings

If the appliance will be installed underneath a hob, the following worktop thicknesses (including substructure if necessary) must be taken into account.

| Hob type | min. worktop thickness | |
|----------------------------|------------------------|-------|
| | fitted | flush |
| Induction hob | 37 mm | 38 mm |
| Full surface Induction hob | 47 mm | 48 mm |
| Gas hob | 30 mm | 38 mm |
| Electric hob | 27 mm | 30 mm |



Installing two appliances on top of each other
Air exchange



A: Air inlet $\geq 200 \text{ cm}^2$