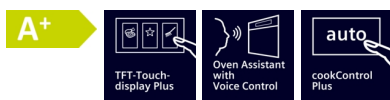


iQ700, Built-in oven, 60 x 60 cm, Black HB776G1B1B



Shorten your cooking time thanks to fast preheat, coolStart and activeClean. And remote control your oven from anywhere with Home Connect.

- ✓ TFT-Touchdisplay Plus – Smooth-touch navigation for simple and intuitive operation.
- ✓ Oven Assistant with Voice Control – Intuitively set the right programme.
- ✓ humidClean Plus - For fast cleaning dirt is softened beforehand by vaporizing soapy water. It can then be removed more easily.
- ✓ Home Connect with Remote Control and Monitoring – Unlock the full potential of your smart oven.
- ✓ cookControl Plus – Pre-installed settings for excellent results.

Features

Technical Data

Color / Material Front : Black
 Construction type : Built-in
 Integrated Cleaning system : Pyrolytic+Hydrolytic
 Min. required niche size for installation (HxWxD) : 585-595 x 560-568 x 550 mm
 Dimensions : 595 x 594 x 548 mm
 Dimensions of the packed product (HxWxD) : 670 x 680 x 670 mm
 Control Panel Material : Glass
 Door Material : Glass
 Net weight : 38.2 kg
 Usable volume of cavity : 71 l
 Cooking method : 4D Hotair, Bottom heat, Conventional heat, Conventional heat gentle, Deep-frozen food special, Full width grill, Half width grill, Hotair gentle, Hot air grilling, low temperature cooking, Pizza setting, pre-heating, warming
 Oven control : electronic
 Number of interior lights : 1
 Length of electrical supply cord : 120.0 cm
 EAN code : 4242003901908
 Number of cavities (2010/30/EC) : 1
 Energy efficiency rating : A+
 Energy consumption per cycle conventional (2010/30/EC) : 0.87 kWh/cycle
 Energy consumption per cycle forced air convection (2010/30/EC) : 0.69 kWh/cycle
 Energy efficiency index (2010/30/EC) : 81.2 %
 Connection rating : 3600 W
 Fuse protection : 16 A
 Voltage : 220-240 V
 Frequency : 50; 60 Hz
 Plug type : no plug (electrical connection by electrician)
 Included accessories : 2 x combination grid, 1 x universal pan

Included accessories

- 2 x combination grid
- 1 x universal pan

Optional accessories

- | | |
|----------|---|
| HZ915003 | Glass roasting dish, 5,4 L |
| HZ638070 | Full ext rails, level independent, pyro |
| HZ636000 | Glass pan |
| HZ634000 | Baking and roasting grid (standard) |
| HZ631070 | Baking tray, anthracite enamelled |
| HZ531010 | Baking tray, non-stick ceramic coated |
| HZ530000 | 2 multipurpose pans, slim size |



iQ700, Built-in oven, 60 x 60 cm, Black HB776G1B1B

Features

Features

- Oven with 13 heating methods: 4D hot air, conventional top & bottom heating, hot air grilling, full width grill, half width grill, Pizza setting, coolStart, bottom heat, low temperature cooking, keep warm, plate warming, Hotair gentle, Conventional heat gentle
- Temperature range 30 °C - 275 °C
- Cavity volume: 71 litres

Level independent telescopic rails

- 5 shelf positions in oven
- Cavity with shelf support rails, pyrolytic proof

Design

- Touch control
- Cavity inner surface: enamel anthracite

Cleaning

- activeClean
- hydrolyse program
- Full glass inner door

Programmes/functions

- Oven Assistant with Voice Control
- SE62
- Electronic oven clock timer
- Digital temperature display with proposal
- Actual temperature display Heating-up indicator
- Drop down oven door, softClose, softOpen
-
- cookControl Plus
- Fast preheat
- coolStart
- LED light, Light on/off when door opened/closed
- Integral cooling fan
- WLAN - Home connect enabled

Accessories

- 2 x combination grid, 1 x universal pan

Features

- Maximum door temperature 30 °C
- Low door temperature during pyrolytic cleaning
- Electronic door lock
- Control panel lock Automatic safety switch off Residual heat indicator Start button Door contact switch

Technical information

- 120 cm Cable length
- Nominal voltage: 220 - 240 V
- Total connected load electric: 3.6 KW
- Energy efficiency rating (acc. EU Nr. 65/2014): A+
- Energy consumption per cycle in conventional mode:0.87 kWh
- Energy consumption per cycle in fan-forced convection mode:0.69 kWh
- Number of cavities: Main cavity Heat source: electrical Cavity volume:71 litres

Performance/technical information

- Appliance dimension (hxwxd): 595 mm x 594 mm x 548 mm

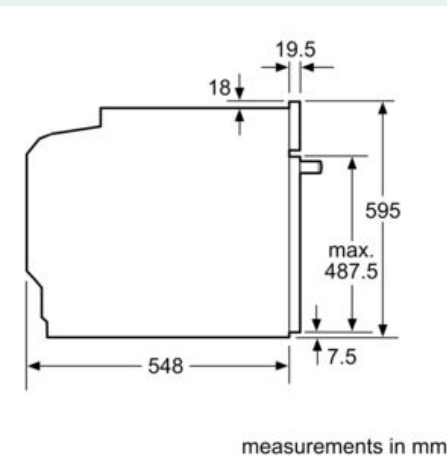
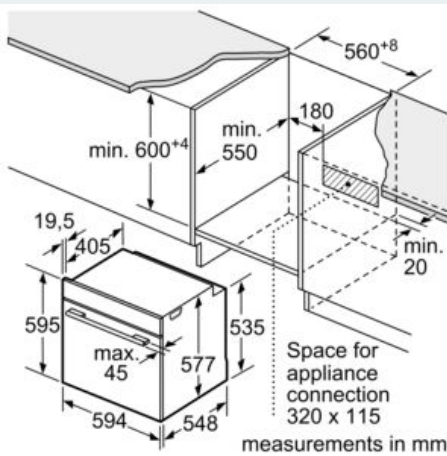
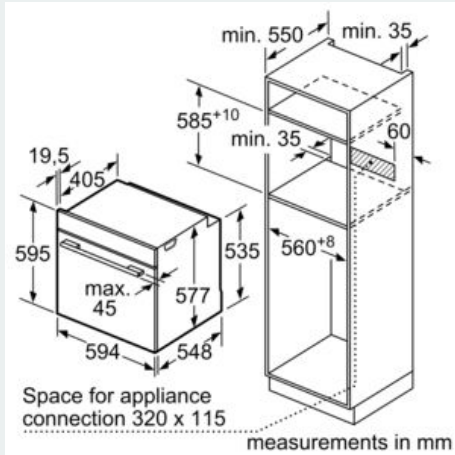
- Niche dimension (hxwxd): 585 mm - 595 mm x 560 mm - 568 mm x 550 mm
- Please refer to the dimensions provided in the installation manual

iQ700, Built-in oven, 60 x 60 cm, Black HB776G1B1B

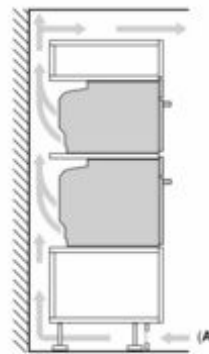
Dimensioned drawings

If the appliance will be installed underneath a hob, the following worktop thicknesses (including substructure if necessary) must be taken into account.

Hob type	min. worktop thickness	
	fitted	flush
Induction hob	37 mm	38 mm
Full surface Induction hob	47 mm	48 mm
Gas hob	30 mm	38 mm
Electric hob	27 mm	30 mm



Installing two appliances on top of each other
Air exchange



A: Air inlet $\geq 200 \text{ cm}^2$