

## iQ700, Built-in oven with added steam function, 60 x 60 cm, Black HR776G1B1B



A+



Shorten your cooking time thanks to fast preheat, coolStart and activeClean. And remote control your oven from anywhere with Home Connect.

- ✓ TFT-Touchdisplay Plus – Smooth-touch navigation for simple and intuitive operation.
- ✓ cookControl Pro – Excellent results, whatever the recipe or circumstances.
- ✓ Oven Assistant with Voice Control – Intuitively set the right programme.
- ✓ activeClean® – The automatic, self-cleaning oven system.
- ✓ humidClean Plus - For fast cleaning dirt is softened beforehand by vaporizing soapy water. It can then be removed more easily.

### Features

#### Technical Data

Built-in / Free-standing: ..... Built-in  
 Integrated Cleaning system: ..... Pyrolytic+Hydrolytic  
 Min. required niche size for installation (HxWxD): ..... 585-595 x 560-568 x 550 mm  
 Dimensions: ..... 595 x 594 x 548 mm  
 Dimensions of the packed product (HxWxD): ... 675 x 690 x 660 mm  
 Control Panel Material: .....Glass  
 Door Material: .....Glass  
 Weight: ..... 41.4 kg  
 Usable volume (of cavity) - cavity 1: ..... 71 l  
 Heating Types: ..... 4D hot air, Bottom heat, conventional, Conventional heat gentle, Deep-frozen food special, Full width grill, Half width grill, Hotair gentle, hot air grilling, low temperature cooking, Pizza Setting, plate warming, pre-heating, Regeneration  
 Oven control: .....electronic  
 Number of interior lights: ..... 1  
 Length electrical supply cord: ..... 120.0 cm  
 EAN code: .....4242003902448  
 Number of cavities (2010/30/EC): ..... 1  
 Energy efficiency rating: ..... A+  
 Energy consumption per cycle conventional (2010/30/EC): ..... 0.87 kWh/cycle  
 Energy consumption per cycle forced air convection (2010/30/EC): 0.69 kWh/cycle  
 Energy efficiency index (2010/30/EC): ..... 81.2 %  
 Connection Rating: ..... 3600 W  
 Fuse protection: ..... 16 A  
 Nominal power: ..... 220-240 V  
 Plug type: .....no plug (electrical connection by electrician)  
 Included accessories: ..... 2 x combination grid, 1 x universal pan



#### Included accessories

2 x combination grid, 1 x universal pan

#### Optional accessories

HZ327000 Baking stone, HZ530000 2 multipurpose pans, slim size, HZ531010 Baking tray, non-stick ceramic coated, HZ532010 Universal pan, non-stick ceramic coated, HZ617000 Pizza pan, anthracite enamelled, HZ629070 Air Fry & Grill tray, anthracite, HZ631070 Baking tray, anthracite enamelled, HZ632070 Multipurpose pan, anthracite enamelled, HZ633001 Lid for professional pan, enamelled anth, HZ633070 Professional pan, anthracite enamelled, HZ633073 Professional pan, anthracite enamelled, HZ634000 Baking and roasting grid (standard), HZ635000 AirFry & Grill Set, HZ636000 Glass pan, HZ638070 Full ext rails, level independent, pyro, HZ664000 Baking and roasting grid (steam), HZ66X650 Cover Strip, HZ915003 Glass roasting dish, 5,4 L

## iQ700, Built-in oven with added steam function, 60 x 60 cm, Black HR776G1B1B

### Features

#### Features

- Oven with 19 heating methods: conventional, full width grill, half width grill, coolStart, bottom heat, low temperature cooking, keep warm, plate warming, Conventional heat gentle, reheating with steam, Dough proving, Hot air grilling, warming, 4D Hot air, Conventional heat
- Temperature range 30 °C - 275 °C
- Cavity volume: 71 litres

#### Level independent telescopic rails

- 5 shelf positions
- Cavity with shelf support rails, pyrolytic proof

#### Design

- Touch control
- Cavity inner surface: enamel anthracite

#### Cleaning

- activeClean
- hydrolyse program
- Full glass inner door

#### Programmes/functions

- Oven Assistant with Voice Control
- SE62
- Electronic oven clock timer
- Automatic temperature proposal
- Actual temperature display Heating-up indicator
- Drop down oven door, softClose, softOpen
- cookControl Plus
- Fast pre-heat
- coolStart
- steam boost - add for 3min intensive steam with a touch of a button.
- There are different steam intensities selectable: steam level high, steam level middle, steam level low
- LED light, Light on/off when door opened/closed
- Tank empty indicator
- Location of water tank: Outside cavity
- Integral cooling fan
- WLAN - Home connect enabled

#### Accessories

- 2 x combination grid, 1 x universal pan

#### Features

- Maximum door temperature 30 °C
- Low door temperature during pyrolytic cleaning
- Electronic door lock
- Control panel lock Automatic safety switch off Residual heat indicator Start button Door contact switch

#### Technical information

- 120 cm Cable length

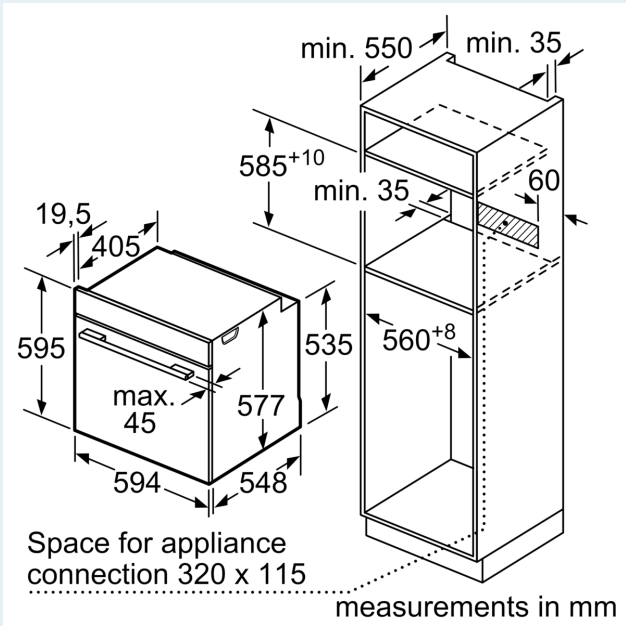
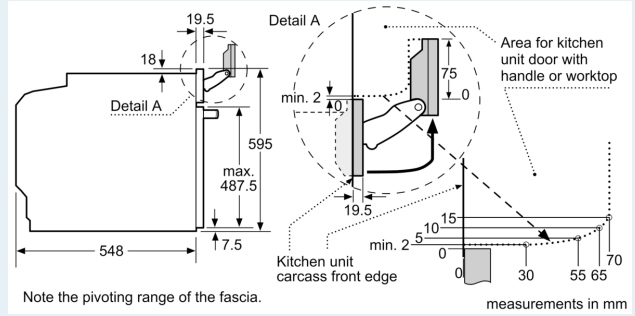
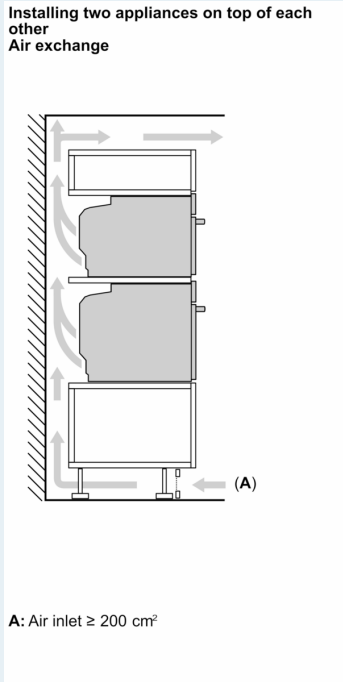
- Nominal voltage: 220 - 240 V
- Total connected load electric: 3.6 KW
- Energy efficiency rating (acc. EU Nr. 65/2014): A+
- Energy consumption per cycle in conventional mode:0.87 kWh
- Energy consumption per cycle in fan-forced convection mode:0.69 kWh
- Number of cavities: Main cavity Heat source: electrical Cavity volume:71 litres

#### Performance/technical information

- Appliance dimension (hxwxh): 595 mm x 594 mm x 548 mm
- Niche dimension (hxwxh): 585 mm - 595 mm x 560 mm - 568 mm x 550 mm
- Please refer to the dimensions provided in the installation manual

**iQ700, Built-in oven with added steam function, 60 x 60 cm, Black HR776G1B1B**

Dimensioned drawings



If the appliance will be installed underneath a hob, the following worktop thicknesses (including substructure if necessary) must be taken into account.

Hob type	min. worktop thickness	
	fitted	flush
Induction hob	37 mm	38 mm
Full surface Induction hob	47 mm	48 mm
Gas hob	30 mm	38 mm
Electric hob	27 mm	30 mm

Dimensioned drawings

